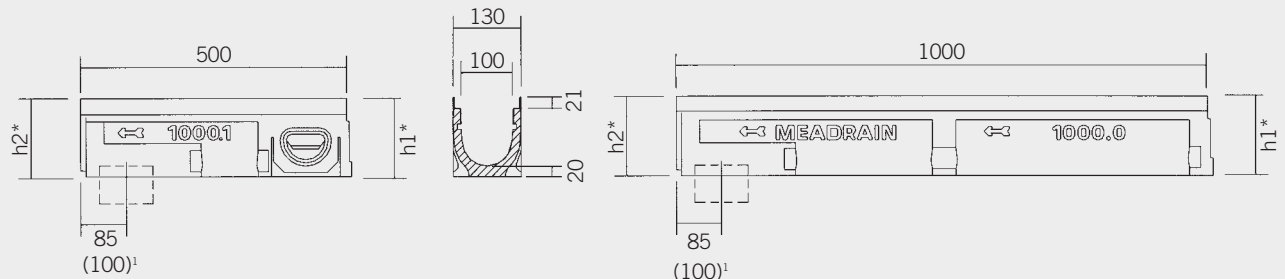


MEADRAIN® Supreme System Z 1000

Technical Data



h1* = Total height 1

h2* = Total height 2

Material properties

Channel body

- ◆ Polymer concrete based on polyester resin
- ◆ Compression resistance: > 90 N/mm²
- ◆ Flexural strength: > 22 N/mm²
- ◆ Water absorption: less than 0,05%
- ◆ Density: 2,25 kg/dm³
- ◆ Modulus of elasticity: 25 - 35 kN/mm²
- ◆ Water penetration level: 0 mm
- ◆ Material structure: capillary free

Edge protection

- ◆ Galvanised steel: DX 51 D 275 NA to EN 10142

Grating

- ◆ Galvanised steel: DX 51 D 275 NA
- ◆ Ductile iron
- ◆ Stainless steel: AISI 304 (1.4301)

Description and sizes

- ◆ Drainage channel made of polymer concrete with sealable channel groove
- ◆ Integrated galvanised steel edge protection
- ◆ Connection facility for vertical discharge Ø 110 in 500 mm and 1000 mm channel
- ◆ The /A-marked channel elements include a HD-PE outlet connector Ø 110
- ◆ Interlocking joint system for an exact fitting of the channels
- ◆ Suitable for installation of MEADRAIN Top 1000 grating covers with CLIPFIX boltless locking system or standard locking mechanisms

- ◆ Fall type: linear fall up to 20 m, stepped fall, without fall
- ◆ Loading classes: A 15, B 125, C 250 to EN 1433
- ◆ Total height: 150 mm - 250 mm (see table)
- ◆ Total width: 130 mm
- ◆ Length: 500 mm and 1000 mm

1) 100 mm with HD-PE outlet connector - 85 mm with pre-formed knockout

Channel units overview

Channel without fall

Channel element suitable for connection to a vertical Ø 110 outlet connector or siltbox

Product description	Length	Total height	Total height	Weight	Inlet sectional area**	EDP-Number 010...
	[mm]	h1 [mm]	h2 [mm]	[kg]	[cm ²]	
Z 1000.0 ²⁾	1000	150	150	13,5	98,27	155401
Z 1000.0/A ³⁾	1000	150	150	13,5	98,27	155402
Z 1000.1 ¹⁾²⁾	500	150	150	7,0	98,27	155403
Z 1005.0 ²⁾	1000	175	175	15,5	123,27	155415
Z 1005.0/A ³⁾	1000	175	175	15,5	123,27	155416
Z 1005.1 ¹⁾²⁾	500	175	175	8,5	123,27	155417
Z 1010.0 ²⁾	1000	200	200	17,2	148,27	155429
Z 1010.0/A ³⁾	1000	200	200	17,2	148,27	155430
Z 1010.1 ¹⁾²⁾	500	200	200	10,0	148,27	155431
Z 1015.0 ²⁾	1000	225	225	19,5	173,27	155443
Z 1015.0/A ³⁾	1000	225	225	19,5	173,27	155444
Z 1015.1 ¹⁾²⁾	500	225	225	11,5	173,27	155445
Z 1020.0 ²⁾	1000	250	250	21,7	198,27	155457
Z 1020.0/A ³⁾	1000	250	250	21,7	198,27	155458
Z 1020.1 ¹⁾²⁾	500	250	250	12,5	198,27	155459

Channel with stepped fall

as connecting elements for stepped fall (with 2,5 % fall)

Product description	Length	Total height	Total height	Weight	Inlet sectional area**	EDP-Number 010...
	[mm]	h1 [mm]	h2 [mm]	[kg]	[cm ²]	
Z 1000-5	1000	150	175	14,6	123,27	155461
Z 1005-10	1000	175	200	16,3	148,27	155463
Z 1010-15	1000	200	225	18,1	173,27	155465
Z 1015-20	1000	225	250	20,6	198,27	155467

** Cross sectional area from the grating surface to the invert of the channel

Channels with heights of 255 to 305 mm are available upon request

- 1) Connecting facility for corner and cross junction
- 2) Connecting facility for vertical discharge Ø 110 or siltbox
- 3) Channel elements with integrated HD-PE outlet connector Ø 110

Channel with linear fall

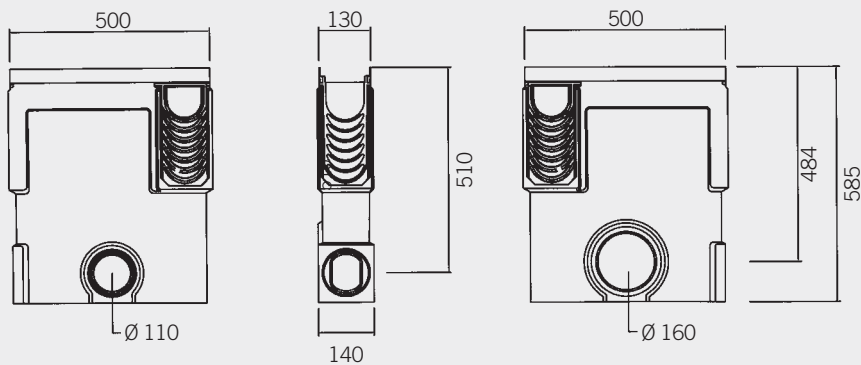
Product description	Length	Total height		Weight	Inlet sectional area**	EDP-Number 010...
	[mm]	h1 [mm]	h2 [mm]	[kg]	[cm ²]	
Z 1001	1000	150	155	13,8	103,27	155405
Z 1002	1000	155	160	14,2	108,27	155407
Z 1003	1000	160	165	14,6	113,27	155409
Z 1004	1000	165	170	15,1	118,27	155411
Z 1005 ²⁾	1000	170	175	15,3	123,27	155413
Z 1005/A ³⁾	1000	170	175	15,3	123,27	155414
Z 1006	1000	175	180	15,4	128,27	155419
Z 1007	1000	180	185	15,8	133,27	155421
Z 1008	1000	185	190	16,2	138,27	155423
Z 1009	1000	190	195	16,6	143,27	155425
Z 1010 ²⁾	1000	195	200	17,1	148,27	155427
Z 1010/A ³⁾	1000	195	200	17,1	148,27	155428
Z 1011	1000	200	205	17,3	153,27	155433
Z 1012	1000	205	210	17,7	158,27	155435
Z 1013	1000	210	215	18,1	163,27	155437
Z 1014	1000	215	220	18,5	168,27	155439
Z 1015 ²⁾	1000	220	225	19,0	173,27	155441
Z 1015/A ³⁾	1000	220	225	19,0	173,27	155442
Z 1016	1000	225	230	19,7	178,27	155447
Z 1017	1000	230	235	20,1	183,27	155449
Z 1018	1000	235	240	20,5	188,27	155451
Z 1019	1000	240	245	20,9	193,27	155453
Z 1020 ²⁾	1000	245	250	21,5	198,27	155455
Z 1020/A ³⁾	1000	245	250	21,5	198,27	155456

** Cross sectional area from the grating surface to the invert of the channel

Channels with heights of 255 to 305 mm are available upon request

- 1) Connecting facility for corner and cross junction
- 2) Connecting facility for vertical discharge Ø 110 or siltbox
- 3) Channel elements with integrated HD-PE outlet connector Ø 110

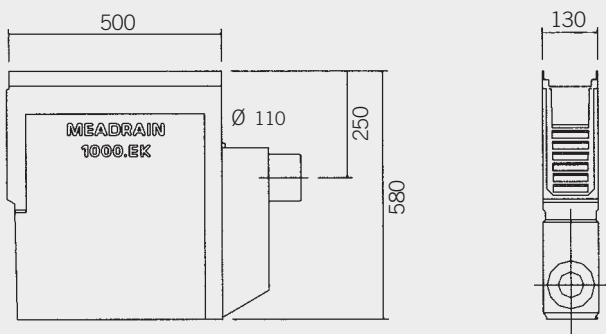
Silt box made of polymer concrete Z 1000.EK



Description and size

- ◆ Integrated galvanised steel edge protection
- ◆ Galvanised sediment bucket included
- ◆ Suitable for installation of MEADRAIN Top 1000 grating covers with CLIPFIX boltless locking system or standard locking mechanisms
- ◆ Pre-formed knockouts for breaking out, making the perfect connection of the channel types 1000, 1005, 1010, 1015, 1020 (1025 and 1030)
- ◆ Connection facility for outlet connector Ø 110 and Ø 160
- ◆ Connection facility for outlet corner and cross junction
- ◆ EDP-Number: 010155484
- ◆ Total height: 585 mm
- ◆ Total width: 140 mm
- ◆ Length: 500 mm
- ◆ Weight: 26,5 kg

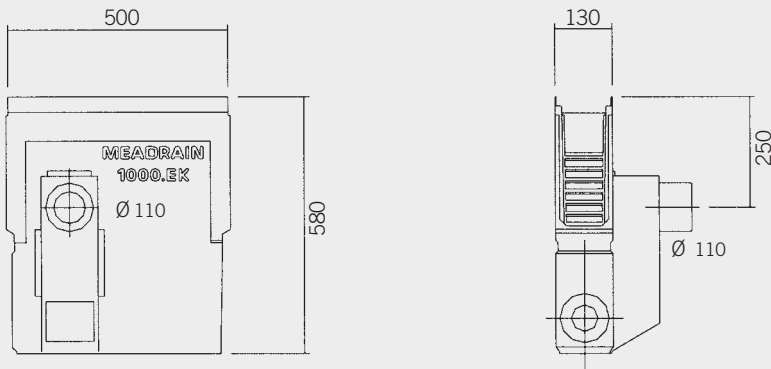
Silt box made of polymer concrete Z 1000.EK LG 10



Description and size

- ◆ Integrated roddable foul air trap and connector Ø 110
- ◆ Integrated galvanised steel edge protection
- ◆ Galvanised steel sediment bucket
- ◆ Suitable for installation of MEADRAIN Top 1000 grating covers with CLIPFIX boltless locking system or standard locking mechanisms
- ◆ Pre-formed knockouts for breaking out, making the perfect connection of the channel types 1000, 1005, 1010, 1015, 1020 (1025 and 1030)
- ◆ EDP-Number: 010155485
- ◆ Total height: 580 mm
- ◆ Total width: 130 mm
- ◆ Length: 500 mm
- ◆ Weight: 28,0 kg

Silt box made of polymer concrete Z 1000.EK QG 10

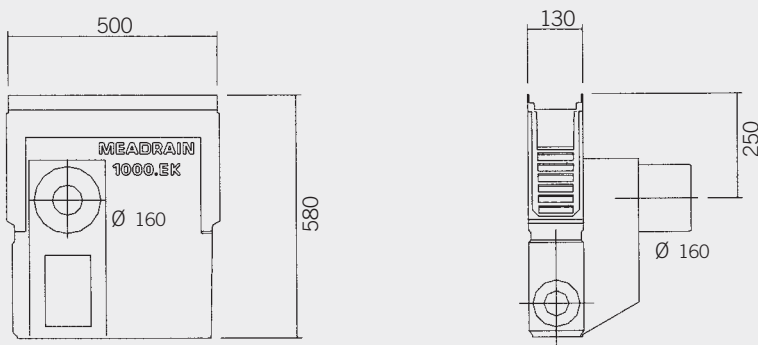


Description and sizes

- ◆ Integrated roddable foul air trap and connector Ø 110
- ◆ Integrated galvanised steel edge protection
- ◆ Galvanised steel sediment bucket
- ◆ Suitable for installation of MEADRAIN Top 1000 grating covers with CLIPFIX boltless locking system or standard locking mechanisms
- ◆ Pre-formed knockouts for breaking out, making the perfect connection of the channel types 1000, 1005, 1010, 1015, 1020 (1025 and 1030)

◆ EDP-Number:	010155487	◆ Length:	500 mm
◆ Total height:	580 mm	◆ Weight:	28,0 kg
◆ Total width:	130 mm		

Silt box made of polymer concrete Z 1000.EK QG 15

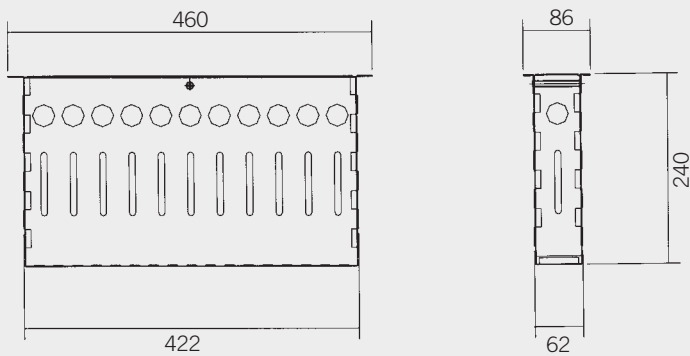


Description and sizes

- ◆ Integrated roddable foul air trap and connector Ø 160
- ◆ Integrated galvanised steel edge protection
- ◆ Galvanised steel sediment bucket
- ◆ Suitable for installation of MEADRAIN Top 1000 grating covers with CLIPFIX boltless locking system or standard locking mechanisms
- ◆ Pre-formed knockouts for breaking out, making the perfect connection of the channel types 1000, 1005, 1010, 1015, 1020 (1025 and 1030)

◆ EDP-Number:	010155489	◆ Length:	500 mm
◆ Total height:	580 mm	◆ Weight:	29,0 kg
◆ Total width:	130 mm		

Sediment bucket for Z 1000.EK-S



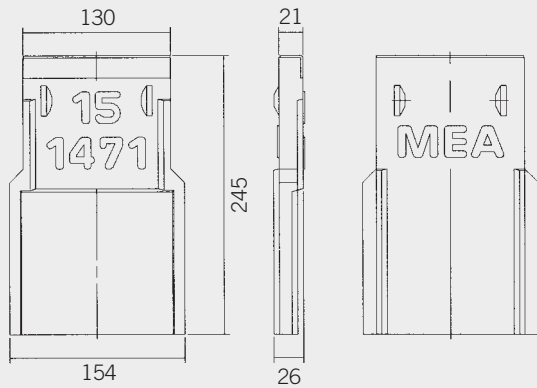
Description and size

- ◆ Optimised slot design for achieving best discharge rates
- ◆ Material: galvanised steel DX 51 D 275 NA

- ◆ EDP-Number: 010156264
- ◆ Total height: 240 mm
- ◆ Total width: 86 mm

- ◆ Length: 460 mm
- ◆ Weight: 1,9 kg

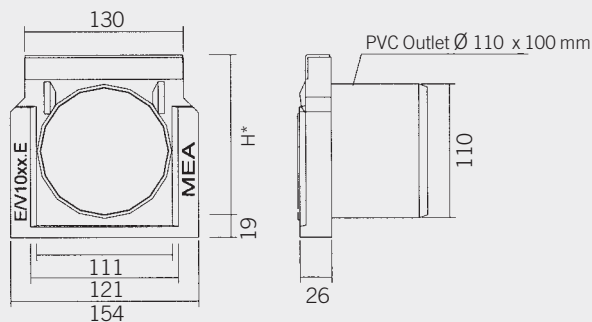
End cap made of polymer concrete for channel start and channel end Z 1000.SE



Description and sizes

- ◆ Edge protection: galvanised steel
- ◆ Suitable for channel: 1000 - 1020
1000.0 – 1020.0
- ◆ EDP-Number: 010151471
- ◆ Total height: 245 mm
- ◆ Total width: 154 mm
- ◆ Weight: 1,4 kg

End cap made of polymer concrete for channel end Z 1000.E



H* = Total height

Description and sizes

- ◆ Edge protection: galvanised steel
- ◆ PVC connector Ø 110
- ◆ Suitable for channel

	1000	1005	1010	1015	1020
	Z 1000.E	Z 1005.E	Z 1010.E	Z 1015.E	Z 1020.E
◆ EDP-Number:	010151473	010151475	010151477	010151479	010151481
◆ Height (H):	131 mm	156 mm	181 mm	206 mm	231 mm
◆ Total width:	154 mm	154 mm	154 mm	154 mm	154 mm
◆ Weight:	0,8 kg	0,9 kg	1,0 kg	1,2 kg	1,3 kg

