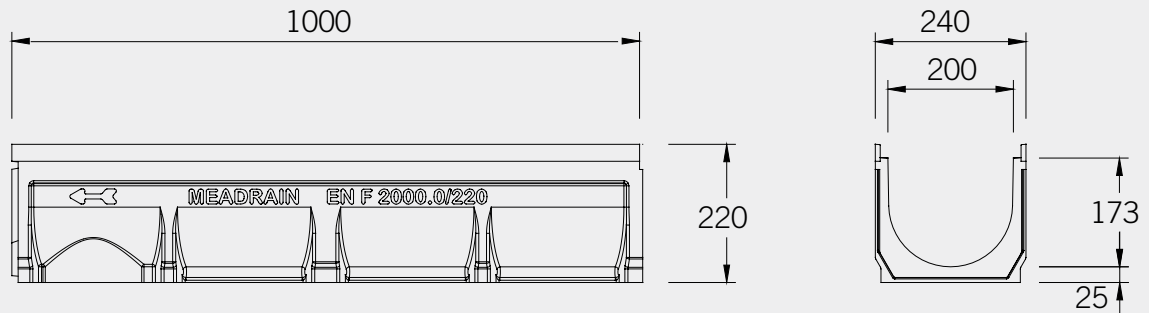


# MEADRAIN® Supreme System ENF 2000/220

## Technical Data



## Material properties

### Channel body

- ◆ Polymer concrete: based on polyester resin
- ◆ Compression resistance: > 90 N/mm<sup>2</sup>
- ◆ Flexural strength: > 22 N/mm<sup>2</sup>
- ◆ Water absorption: < 0,05%
- ◆ Density: 2,1 - 2,3 kg/dm<sup>3</sup>
- ◆ Modulus of elasticity: 25 - 35 kN/mm<sup>2</sup>
- ◆ Water penetration level: 0 mm
- ◆ Material structure: capillary free

### Edge protection

- ◆ Cast iron: KTL-coated (cataphoretic painting)

### Grating

- ◆ Ductile iron

## Description and sizes

- ◆ Drainage channel made of polymer concrete with sealable channel groove
- ◆ Integrated cast iron edge protection
- ◆ Connection facility for vertical discharge Ø 160
- ◆ Interlocking joint system for an exact fitting of the channels
- ◆ Suitable for installation of MEADRAIN Top 2000 grating covers with PROFIX boltless locking systems or standard locking mechanisms

- ◆ Fall type: without fall
- ◆ Loading classes: A 15 - F 900 to EN 1433
- ◆ Total height: 220 mm
- ◆ Total width: 240 mm
- ◆ Length: 1000 mm

# Channel units overview

## Channel without fall

Product description	Length mm	Total height mm	Weight kg	Inlet sectional area <sup>2</sup> cm <sup>2</sup>	EDP- Number 010...
ENF 2000.0/220 <sup>1)</sup>	1000	220	27,0	303	157285

<sup>1)</sup> Connection facility for vertical discharge Ø 160

<sup>2)</sup> from grating surface



**MEA Polymer Beton B.V.**  
HydroH2o  
P.O. Box 533  
3207 Port Melbourne  
Australia  
tel: (+61) 3 9673 1818  
fax: (+61) 3 9673 1800  
info@hydroh2o.com.au  
www.hydroh2o.com.au